

Optical Transmitter

SOTx 1310607 NF

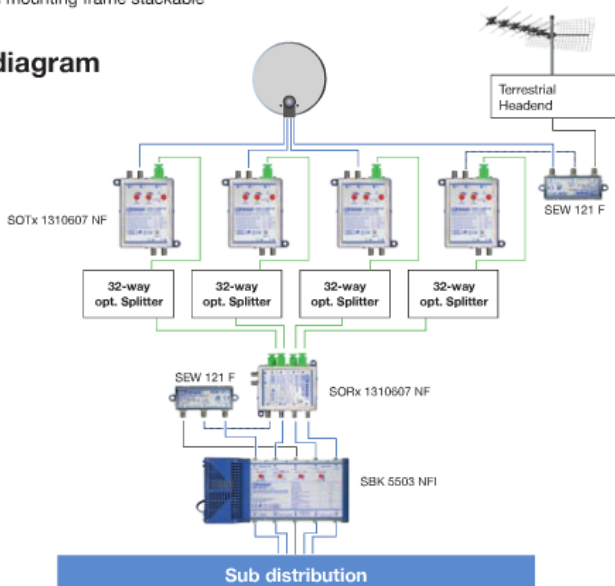


Features:

- Single-mode DFB-Laser
- Optical output power: +6 dBm
- Integrated amplifier-stages using Splitband Technology for terrestrial and SAT IF signals
- Level adjuster for terrestrial and SAT IF (0...-12 dB)
- Bias current to LNB possible (Quattro or QUAD)
- 5 dB slope pre-compensation for the SAT IF range
- Optical connector: SC/APC 8°
- LED operation display
- Through innovative mounting frame stackable

Model Art. No.	SOTx 1310607 NF 815000
EAN	4040326150009
Inputs	1 F connector
Outputs	1 optical
Connector	SC/APC
Frequency range	47 ... 2200 MHz
Optical wavelength	1310 nm
Optical output power	6 dBm
Gain	14 dB
47 ... 862 MHz	16 ... 21 dB
950 ... 2200 MHz	
Input level max.	
terr. 47 ... 862 MHz	95 dB μ V
60 dB IMA ₃ / EN 60728-3	
Input level max.	
SAT 950 ... 2200 MHz	95 dB μ V
35 dB IMA ₃ / EN 60728-3	
Level adjuster	0 ... -12 dB
LNB Bias current	400 mA
Wall power supply	100 ... 240 V, 47 - 63 Hz
SNG 18/1000	DC 18V / 1000 mA
Power consumption	6 W
Ambient temperature	-20 ... +50°C
Dimensions in mm	70 x 120 x 50

Application diagram



Sub distribution

Optical Receiver

SORx 1310607 NF, SORx1310607/1 NF



Features:

- 4-way / 1-way receiver in a compact housing
- High output power level by using a Push-Pull output stage
- Input sensitivity in the range of 0 ... -12 dBm
- Remote power for the receiver possible through the Coax outputs
- Optional remote current with SNG 18/1000 wall power supply (not in the scope of delivery)
- Optical connector: SC/APC 8°
- LED operation display
- SORx 1310607/1 NF has just one optical input

Model Art. No.	SORx 1310607 NF 815001	SORx 1310607/1 NF 814999
EAN	4040326150016	4040326149997
Inputs Outputs	4 optical 4 F connectors	1 optical 1 F connectors
Connector	SC / APC	
Frequency range	47 ... 2200 MHz	
Optical wavelength	1310 ... 1550 nm	
Optical input power max.	0 dBm	
Optical input power min.	-12 dBm	
Output level max. terr. 47 ... 862 MHz 60 dB IMA ₃ / EN 60728-3	100 dB μ V	
Output level max. 950 ... 2200 MHz 35 dB IMA ₃ / EN 60728-3	110 dB μ V	
Power consumption	6 W	
Ambient temperature	-20 ... +50°C	
Dimensions (mm)	100 x 100 x 50	