

Optical Splitting Modules

FSP302

REF. 4904

FSP303

REF. 4905

FSP304

REF. 4916

FSP305

REF. 4917

FSP306

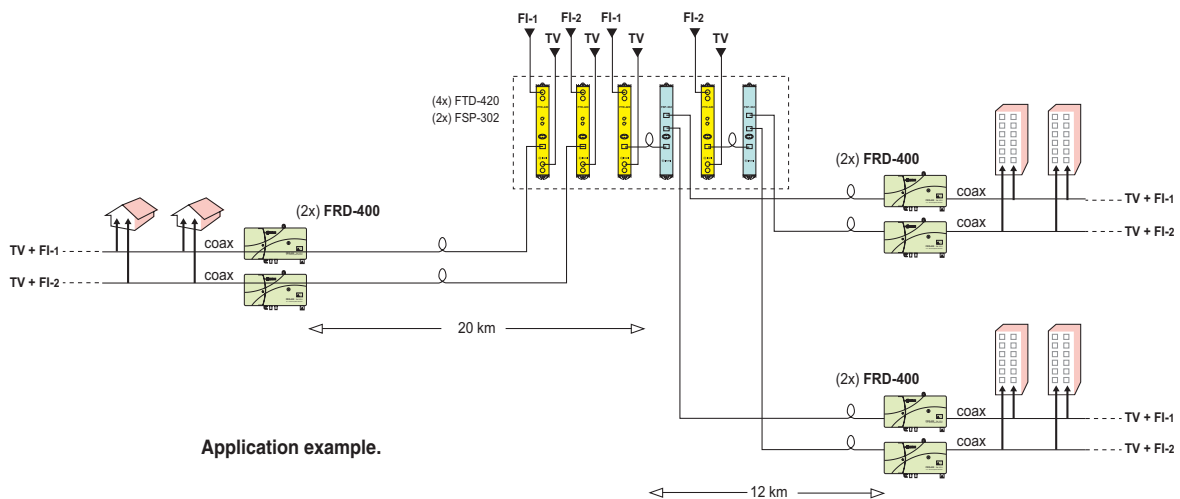
REF. 4918



- 2-, 3-, -4, -5 and 6-way optical splitters for singlemode fibre applications.
- The splitters share out the optical power of FTD transmitters to feed multiple field nodes, hence maximizing the use of optical transmission equipment.
- The units are reciprocal and can also be used to combine multiple return path fibres to feed one FRR return path receiving module.



	FSP-302	FSP-303	FSP-304	FSP-305	FSP-306
No. of optical outputs	2	3	4	5	6
Wavelength	nm	1310 - 1550 (±40)			1310 (±40)
Insertion loss	dB	3.7	5.5	7.2	8.2
Return loss	dB			> 55	
Output isolation	dB			> 55	
Input/output connectors				SC / APC 8°	
Dimension	mm			230x195x32	



Application example.