

FRR310

REF. 4907



- 1 optical input 1290-1600 nm, 1 RF output 5-300 MHz.
- Connection of singlemode type optical fibre.
- Application in two-way HFC networks where the RF signal at the output of the receiver module is used in the headend to deliver data services to the subscribers (broadband internet access, VOD, IPTV, VoIP, etc.).
- DC powered by a CFP power supply modules.

FTR-301

| | |
|---------------------|---------|
| Optical window | -6 — +1 |
| RF output frequency | 5-300 |

Sección óptica

| | | |
|------------------------------|----|-----------|
| Optical wavelength | nm | 1290-1600 |
| Optical input return loss | dB | > 50 |
| Optical input connector type | | SC/APC 8° |

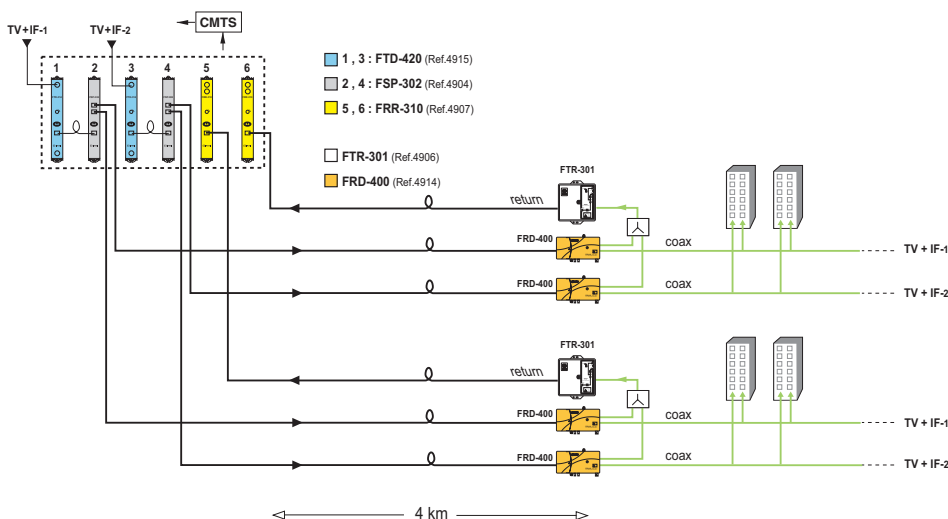
Sección RF

| | | |
|----------------------------|------|-------|
| RF output level | dBμV | 75 |
| RF flatness | dB | ± 0,5 |
| Output variable attenuator | dB | 0-15 |
| RF output impedance | Ω | 75 |
| RF output return loss | dB | > 15 |
| RF output test | dB | -20 |
| RF output connector type | | F |
| Test port connector type | | F |

General

| | | |
|-------------------|-----------------|----------------|
| Supply voltage | V _{DC} | +12 |
| Consumption | mA | 85 |
| DC connector type | | banana socket |
| Dimensions | mm | 230 x 195 x 32 |

Each module is packed with 1 DC plug bridge, 53 mm length, for connection of +12 VDC voltage.



Application example.