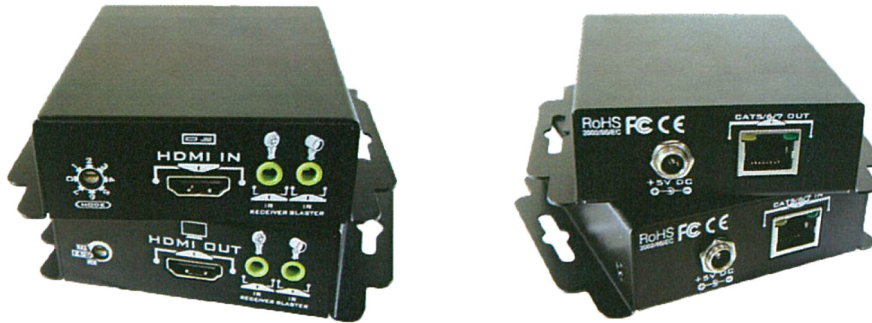


HDMI Extender Over Single CAT.X with 2-Way IR

Part # AV-BPHDMICK1IR

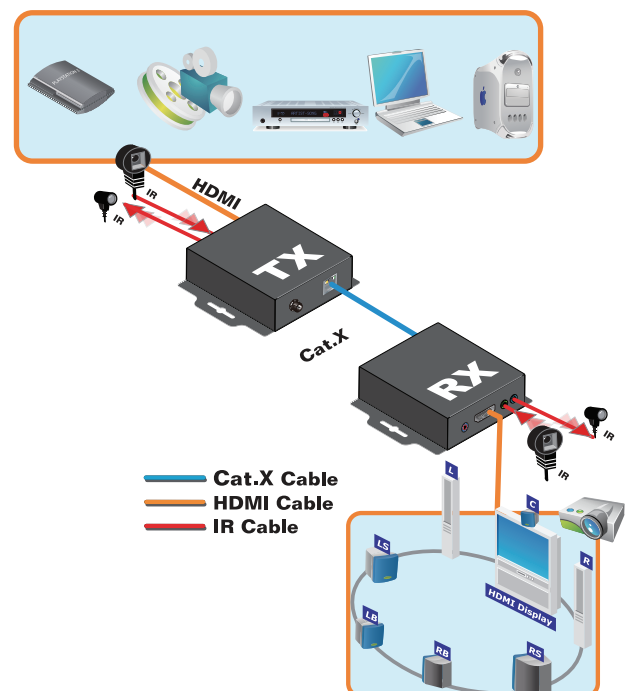


KEY FEATURES

- Supports HDMI Deep Colour & 3D
- Extends HDMI transmission up to 30mtrs for a maximum HD Resolution at 1080i.
- Extends HDMI transmission up to 18mtrs for a maximum HD Resolution at 1080p.
- HDCP 1.1 compliant
- Minimize the cable skew by adjustable 8-level equalization control.
- Pure unaltered uncompressed 7.1ch digital HDMI over UTP/STP cable transmission.
- DTS-HD and Dolby TrueHD high bit rate audio support.
- Supports full frequency IR signal from 20KHz to 60KHz.
- Bi-directional IR path-through
- Wall mounting housing design for easy and robust installation.
- Perfectly integrated with other HDMI over CAT5 series products.

Kit Contents

- 1 x AV-BPHDMICK1IR
- 1 x IR Receiver (20-60KHz)
- 1 x IR Blaster
- 2 x Power Adaptor
- 1 x Instruction Manual



HDMI Extender Over Single CAT.X with 2-Way IR

Part # AV-BPHDMICK1IR

Specifications	AV-BPHDMICK1IR	
TECHNICAL	Transmitter	Receiver
Role of Usage	Transmitter [TX]	Receiver [RX]
HDMI Compliance	High Speed HDMI - Deep Colour & 3D Support	
HDCP Compliance	Yes	
Video bandwidth	Single-link 225MHz [6.75Gbps]	
Video support	480i / 480p / 720p / 1080i / 1080p60	
HDMI over UTP	Full HD (1080p) - 15m [CAT.5e] / 18m [CAT6] HD (720p/1080i) - 25m [CAT. 5e] / 30m [CAT6]	
Audio support	Surround sound [up to 7.1ch] or stereo digital audio	
Equalisation	8-level digital rotary switch for signal level control at RX.	
Input TMDS signal	1.2 Volts [peak-to-peak]	
Input DDC signal	5 Volts [peak-to-peak, TTL]	
ESD protection	[1] Human Body Model $\pm 19kV$ [air-gap discharge] & $\pm 12kV$ [contact charge] - [2] Core Chipset $\pm 8kV$	
PCB stack-up	4-layer board [impedance control - differential 100 Ω ; 50 Ω]	
IR pass-through	Full-duplex bi-directional	
Input	1 x HDMI + 1 x 3.5mm	1 x RJ45 + 1 x 3.5mm
Output	1 x RJ45 + 1 x 3.5mm	1 x HDMI + 1 x 3.5mm
HDMI source control	Controllable via IR pass-through from RX to TX and / from TX to RX with IR extenders.	
IR remote control	Electro-optical characteristics: $\pi=25^\circ$ / Carrier frequency: 20-60KHz	
HDMI Connector	Type A [19-pin female]	
RJ45 Connector	WE/SS 8P8C with 2 LED indicators	
3.5mm connector	IR sender and IR Receiver	
Rotary control switch	Mode Selection	8-level signal equalisation
MECHANICAL		
Housing	Metal Enclosure	
Dimension [L x W x H]	75 x 91 x 24mm	
Weight	239g	
Fixedness	Wall-mounting case with screws	
Power Supply	5V 2A DC	
Power Consumption	4 Watt [max]	1.5 Watt [max]
Operation Temperature	0-40°C	
Storage Temperature	-20-60°C	
Relative Humidity	20-90% RH [no condensation]	