

4-Way 47-862 MHz Active Combiner

AMX400

REF. 4433

- Application in large ClassA headends where the modules are mounted in rack-frames.
- Designed to combine up to 24 channels (6 channels per input).
- The system is expandable, so that it is possible to combine up to 96 channels by using 4 AMX-400 and one final passive combiner.
- Total isolation between inputs.
- Net combining gain.
- Push-pull amplification technology.



Data Sheet

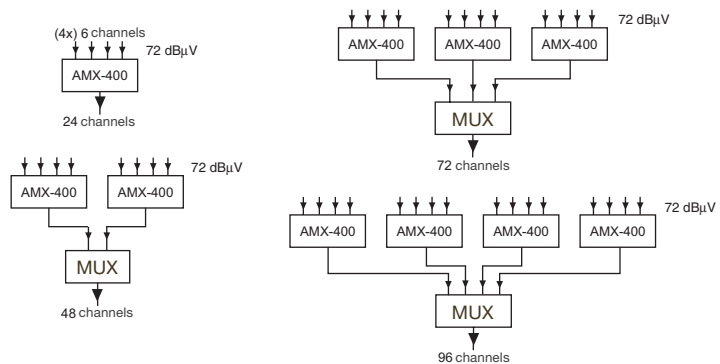
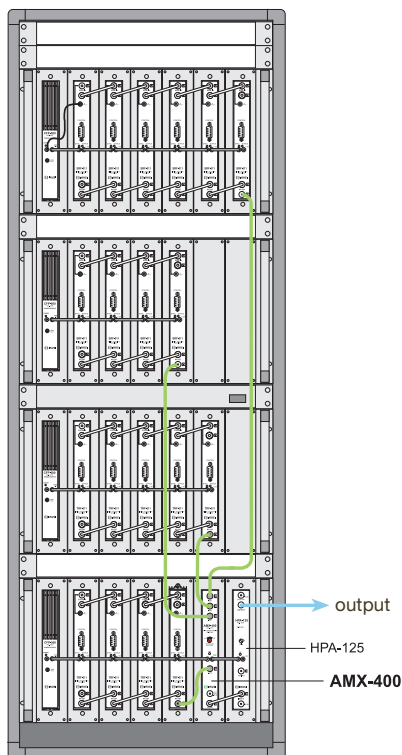


www.ikusi.com

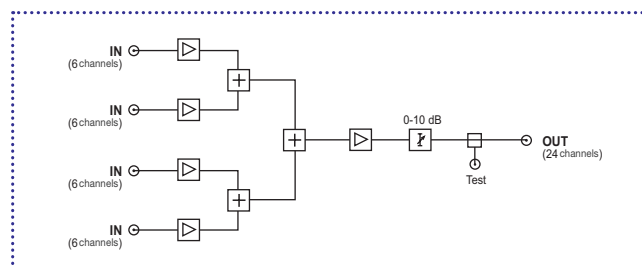


AMX-400		
Number of inputs	MHz	4
Frequency band	dB	45-862
Response flatness	dB	±1,5
Gain	dB	7
IMD for 4x6 channels and 72 dBμV input level	dB	-75
Output variable attenuator	dB	0-10
Input and output return loss	dB	≥ 10
Output Test	dB	-20 ±1
Supply voltage	V _{DC}	+12
Consumption	mA	470
Conectores RF y Test		female F
DC connectors		banana socket
Dimensions	mm	230 x 195 x 32

The module is packed with 1 DC plug bridge, 53 mm length, for connection of +12 VDC voltage.



Application example



Block diagram

— ClassA Station
1 AMX-400 for 19 channels

Ángel Iglesias, S.A.
Paseo Miramón, 170
20009 San Sebastián, Spain
Tel. +34 943 44 88 00

Fax +34 943 44 88 20
ikusi@ikusi.com
www.ikusi.com